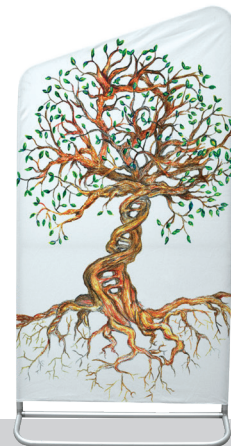
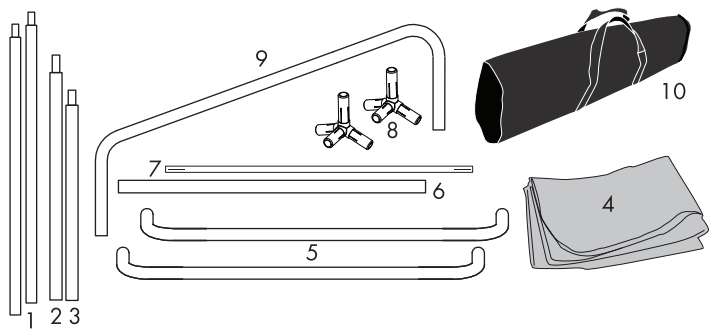


Eurofit Evolution Incline

Product Parts

- 1 - Bottom Vertical Pole (x2)
- 2 - Long Top Vertical Pole (x1)
- 3 - Short Top Vertical Pole (x1)
- 4 - Fabric Graphic (x1)
- 5 - Curved Base Bar (x2)
- 6 - Straight Base Bar (x1)
- 7 - Support Bar (x1)
- 8 - Four-Point Connector (x2)
- 9 - Top Bar (x1)
- 10 - Carry Case



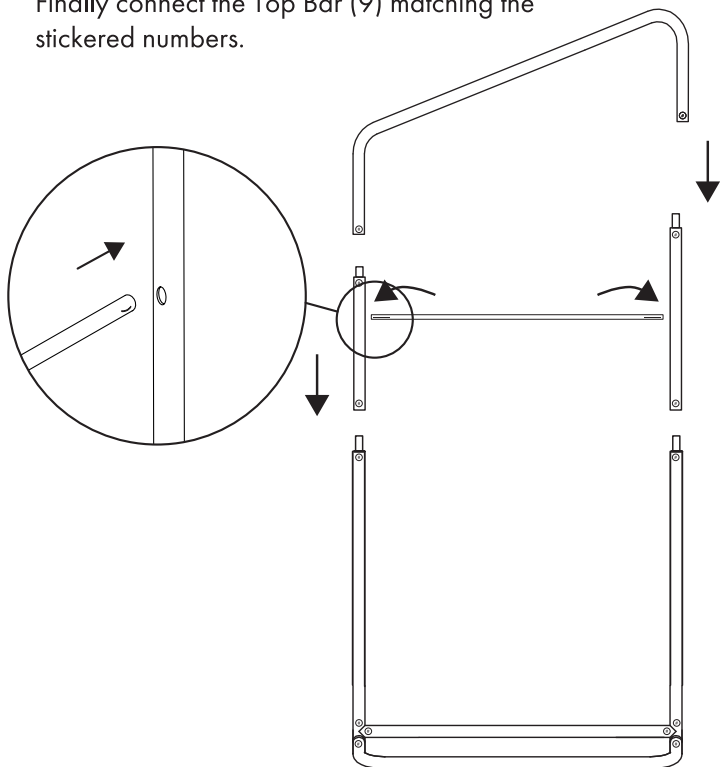
Display Set-Up

Step 1

Begin by removing all parts from the carry case and place on a clean, flat surface.

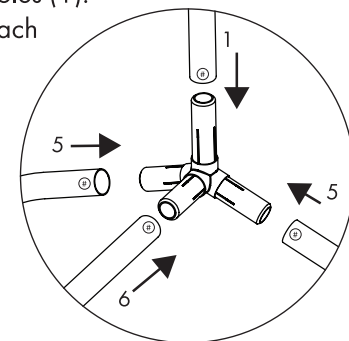
Step 3

Connect the Support Bar (7) between vertical poles by inserting into hole until spring lock "snaps" into place on Vertical Poles. Assemble the Short Top Vertical Pole (3) and Long Top Vertical Pole (2) matching stickered numbers. Finally connect the Top Bar (9) matching the stickered numbers.



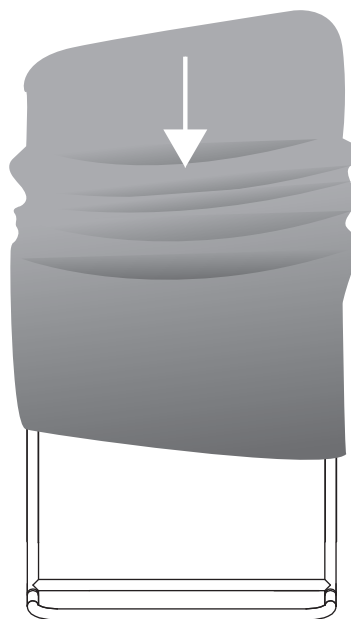
Step 2

Connect the Straight Base Bar (6) first to the Four-Point Connectors (8) followed by connecting the Curved Base Bars (5) and Bottom Vertical Poles (1). Match stickered numbers on each piece.



Step 4

Place single Fabric Graphic over top of hardware.



Storage & Care

Place all product parts into Carry Case and store in a cool dry location. Recommended for indoor use only. Machine wash on gentle cycle using mild detergent. Tumble Dry No Heat. Do NOT dry clean, Do NOT Iron.